

## YD-KU01-62/ TCS6200- MOTOR

NºFig	Referencia	NºPCS	Descripción	NºFig	Referencia	Descripción	NºPCS
1	GB/T6186	2	nut M5	49	YD45.01.00.08-00	oil seal 15×35×4.5	1
2	GB/T93	19	spring washer 5	50	GB/T900	double-screw bolt AYM8-M8×28-8.8	2
3	GB/T97.1	19	plate washer 5	51	YD62.00.02-2	tensioner block	1
4	YD62.01.09.00-1	1	muffler cover plate				
5	YD62.01.09.01-00	1	muffler body	52	GB/T9074.1	adjust screw M5×48	1
6	YD62.01.00-4	1	muffler sealing plate	53	YD62.04.00-2	rod spring	1
7	YD62.01.00-8	2	muffler connecting screw	54	YD62.04.00-1	brake control rod	1
8	GB/T6191	12	hexagon screw M5×20	55	YD62.04.03-1	spacing block	1
9	YD62.01.00-1	1	cylinder body	56	YD62.01.01.01-2	spacing shield pin	2
10	YD45.01.11.04-00	1	spark plug NHSP LD L8RTF	57	GB/T896	shield ring 6	2
11	YD62.01.00-5	1	air intake tube sealing plate	58	YD62.04.03-2	spacing pin	1
12	YD62.01.00-2	1	air intake tube	59	YD62.04.03-3	spacing wheel	1
13	YD62.01.00-6	1	Sealing plate for carburetor	60	GB/T896	shield ring 2	1
14	YD62.01.06.00-00	1	carburetor	61	YD45.01.00.04-2	oil filter screen	1
15	YD62.01.00-10	1	tube to modify the carburetor	62	YD45.01.00.04-1	oil filter	1
16	YD62.01.00.02-00	1	throttle rod				
17	YD62.01.00.01-00	1	air intake socket	63	YD62.05.00-3	oil tube	1
18	GB/T6191	2	hexagon nut M5×82				
19	YD62.01.11.05-00	1	connection conducting wire	64	YD62.05.00-4	oil tube base	1
20	YD62.01.11.04-00	1	grounding wire				
21	YD62.01.11.03-00	1	igniter conducting wire				
22	YD62.01.00-7	1	sponge transition block	65	YD62.05.00-2	oil tube and nozzle	1
23	YD62.01.00-9	1	aeration jet circlip	66	YD62.04.00-3	brake spring	1
24	YD45.01.01.02-2	1	aeration	67	YD62.04.00-4	tubo for brake spring	1
25	GB/T818	2	screw M4×16	68	YD62.01.01.01-3	brake spring pin	1
26	GB/T93	2	washer 4	69	YD62.00.00-5	brake cover plate	1
27	GB/T97.1	2	plate washer 4	70	YD62.04.00-5	spacing shield	1
28	YD62.01.11.02-00	1	igniter wire coil	71	GB/T879.2	pin 4×8	1
29	YD62.01.11.01-00	1	igniter	72	GB/T119.2	pin 3×8	1
30	GB/T6171	1	nut M10×1	73	YD62.04.02-00	brake strap	1
31	GB/T93	1	spring washer 10	74	YD62.00.08-00	oil modifier	1
32	YD62.01.10.00-00	1	flywheel	75	YD62.00.00-10	oil modifier base	1
33	YD62.01.00.03-00	1	oil seal 13×20×4.5	76	YD62.05.00-8	oil modifier connector	1
34	YD62.01.01.00-1	1	left case body	77	YD62.01.00-14	anti-wind plate	1
35	GB/T119.2	3	pin 5×10	78	YD62.00.09-00	turbine	1
36	YD62.01.00-3	1	cylinder sealing plate	79	YD62.00.00-14	fixing tube	1
37	YD62.01.03.00-1	2	piston ring	80	YD62.05.01-00	oil pump	1
38	YD62.01.03.02-00	1	piston	81	GB/T818	screw M5×18	5
39	YD62.01.03.00-2	1	piston pin	82	YD62.01.00-11	clutch washer12×48×1	1
40	YD45.01.03-4	2	piston pin circlip	83	YD62.01.13.01-00	clutch assembly	1
41	YD62.01.03.00-3	2	needle bearing ring	84	YD62.01.13.01-2	shoe block	3
42	YD45.01.03.02-00	1	needle bearing11×15×12.5	85	YD62.01.13.01-3	clutch extension spring	1
43	YD62.01.03.01-00	1	crankshaft connecting bar components	86	YD62.01.13.01-1	retainer	1
44	GB/T1099	1	semicircular key 3×3.5×10	87	YD62.01.00.04-00	needle bearing 10×14×13.5	1
45	GB/T276	2	bearing6202 grade D 15×35×11	88	YD62.01.13.00-1	cluth shell	1
46	YD62.01.01.00-2	1	case body sealing plate	89	YD62.01.00-12	sprocket	1
47	GB/T893.1	1	ring35	90	YD62.01.00-13	sprocket plate 8×23×2	1
48	YD62.01.01.01-1	1	right case body	91	GB/T6177.2	flange nut M8×1 left	1

## TCS6200 CHASIS

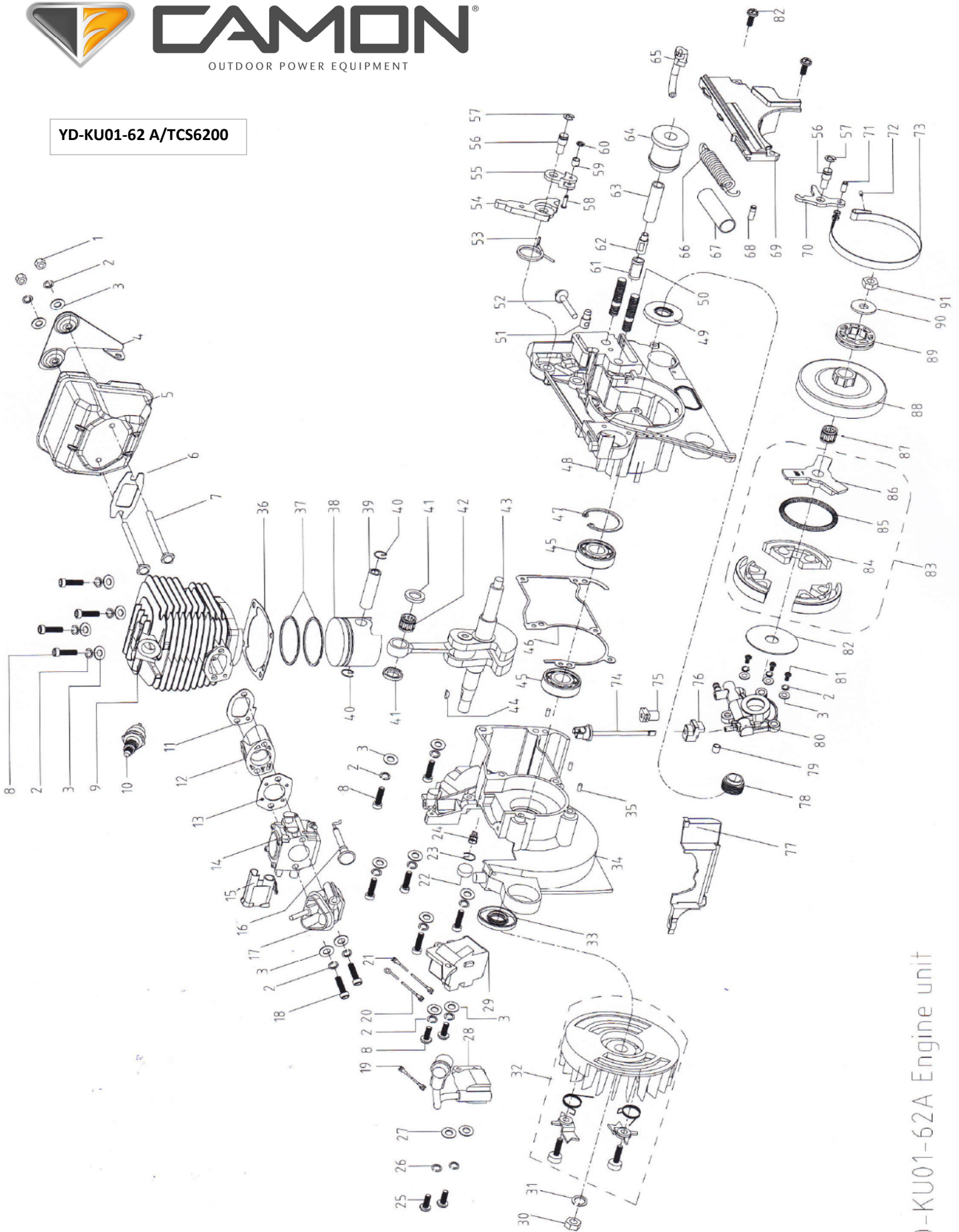
NºFig	Referencia	NºPCS	Descripción	NºFig	Referencia	Descripción	NºPCS
1	TCS3800.05.01-00	1	air filter lock nut	34	YD38-3.03.00-2	fuel tube base	1
2	YD38-3.05.00-6	1	lock nut washer 15×26×1	35	YD45.01.01.01-3	fuel tube circlip	1
3	TCS6200.00.00-1	1	air filter cover	36	YD45.03.03-00	petrol filter components	1
4	YD62.01.08.00-00	1	air filter	37	YD62.00.00-12	screw M6×16	2
5	YD62.01.08.00-1	1	air filter sealing gasket	38	GB/T819.1	screw M5×14	4
6	YD62.00.00-3	1	anti-dust base	39	GB/T956.1	washer 5	4
7	YD38-5.02.00-4	1	start handle	40	YD62.00.06-00	left shock rubber base	1
8	YD62.02.00-5	1	start stretching wire	41	YD62.00.07-00	right shock rubber base	1
9	GB/T818	4	screw M5x18	42	YD62.03.00-5	anti-shock rubber 1	1
10	GB/T93	7	spring washer 5	43	YD62.03.00-4	anti-shock rubber 2	1
11	GB/T97.1	7	plate washer 5	44	YD62.03.00-12	fuel tank	1
12	YD62.00.03-1	1	fuel tank cover	45	YD62.03.00-11	crank shock board	1
13	YD38-3.03.02-3	1	packing washer 24×34×1.5	46	YD45.03.00-1	anti-shock rubber	1
14	YD45.01.00.05-2	2	anti-drop plate	47	YD62.03.00-10	right shock block of case	1
15	YD62.02.00-6	1	anti-shock rubber circle	48	YD62.03.01-00	base body	1
16	TCS6200.02.01-00	1	starter cover	49	YD38-3.03.00-4	front cover	1
17	YD62.02.00-4	1	start coil-spring	50	TCS6200.00.00-2	upper cover plate	1
18	YD62.02.00-2	1	coil-spring gland	51	GB/T818	Screw M5×14	5
19	GB/T845	2	screw ST2.9×7.5	52	YD62.00.00-4	anti-freezing plate	1
20	YD62.02.02-00	1	start plate	53	TCS6200.04.01-00	front damper	1
21	GB/T9074.19	1	tapping screw ST4.8×13	54	YD62.00.00-13	screw M5×18	1
22	YD62.02.00-00	1	starter assembly	55	YD62.00.04-1	oil tank cover	1
23	TCS6200.02.00-1	1	bossing	56	YD62.00.04-3	sealing washer 24×33×2	1
				57	YD62.00.00-11	anti-shock lock nut	2
				58	YD62.00.05-00	front anti-shock base	2
				59	YD62.00.00-6	teeth blade	1
24	GB/T845	5	tapping screw ST4.8×13	60	YD62.00.00-8	cover plate	1
				61	GB/T818	screw M4×10	1
				62	YD45.08.00-2	spacer plate	1
25	YD38-3.01.11.04-00	1	extinction switch	63	GB/T845	tapping screw ST4.2×8	1
26	YD62.03.02-00	1	handle cover	64	YD62.00.01-1	right cover plate	1
27	YD62.03.00-3	1	acceleration rod	65	TCS6200.00.10-00	right cover	1
28	YD62.03.00-1	1	trigger	66	GB/T6177.1	flange nut M8	2
29	YD45.03.00-12	1	trigger torsion rod spring	67	YD38-3.06.03-00	anti-shock base	1
30	YD62.03.00-2	1	trigger control rack	68	GB/T845	tapping screw ST4.8×16	1
31		1	balancer	69	YD38-3.00.00-8	anti-dust cover	1
				70	YD62.00.00-7	chain guide dog	1
				71	YD38-3.01.00-16	chain guide dog screw	1
				72	YD62.06.00-00	front handle assembly	1
32	YD38-3.03.00-3	1	balancer base	73	YD62.00.00-9	front handle plate	1
33	YD62.03.00-8	1	fuel tube	74	GB/T845	tapping screw ST4.8×19	4



# CAMON®

OUTDOOR POWER EQUIPMENT

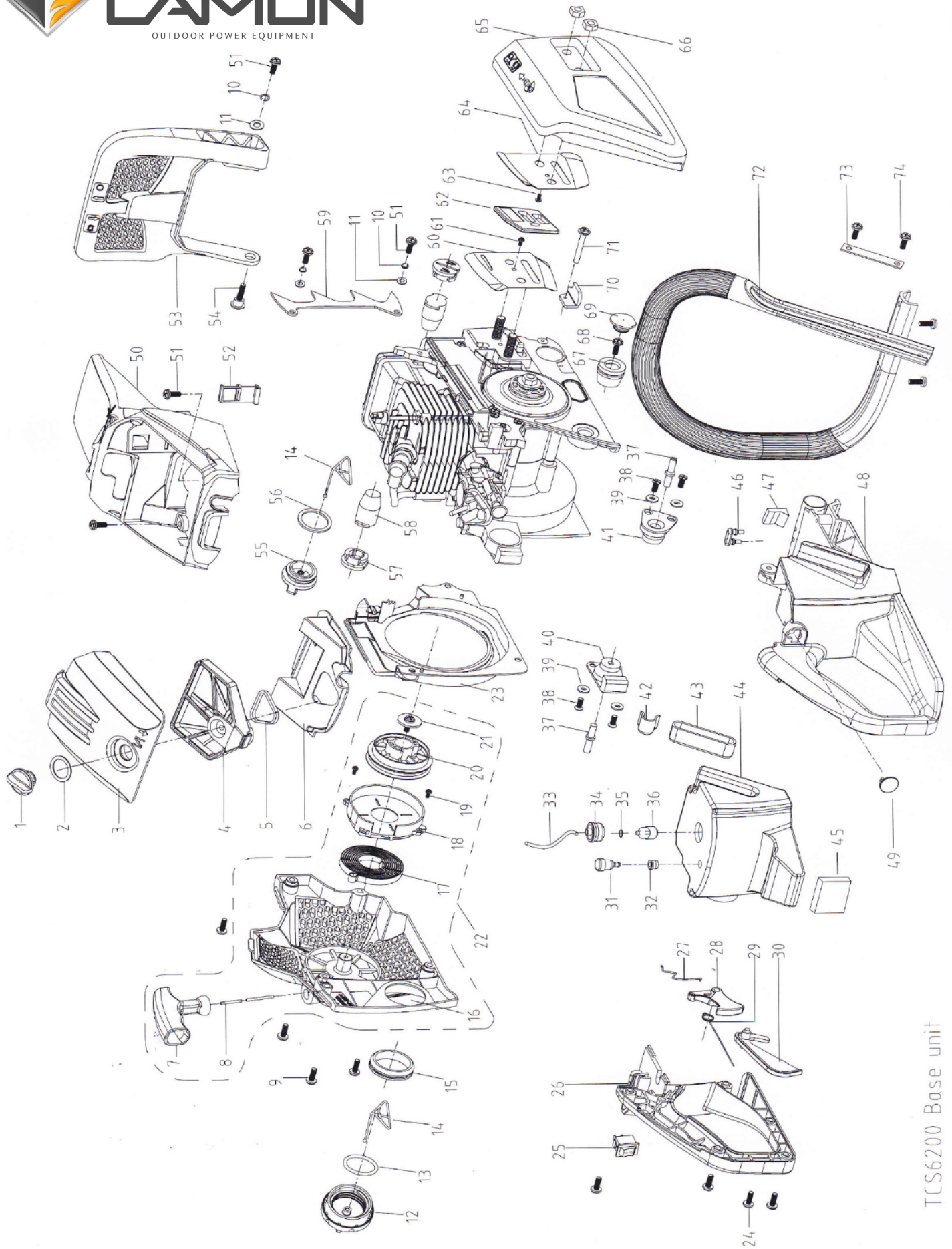
YD-KU01-62 A/TCS6200



YD-KU01-62A Engine unit



**CAMON**  
OUTDOOR POWER EQUIPMENT



TCS6200 Base unit